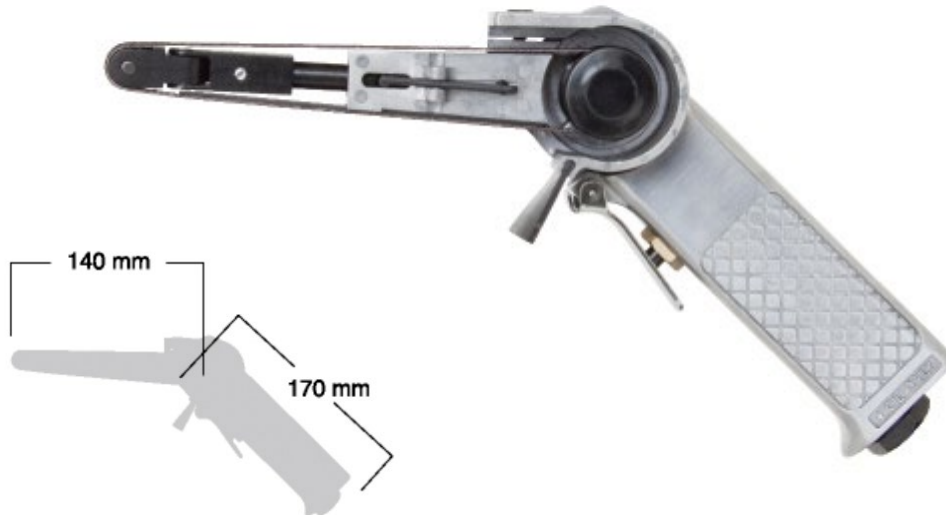


Shinano SI-2700 10mm Belt Sander



The Shinano SI 2700 10mm belt sander is designed for sanding applications in many industries where a light weight, powerful tool with a compact design is useful.

The SI 2700 has a quick and easy belt change system and an adjustable arm angle. This tool makes easy work for sanding products in hard to reach places.

These tools are ideal for a wide range of applications:

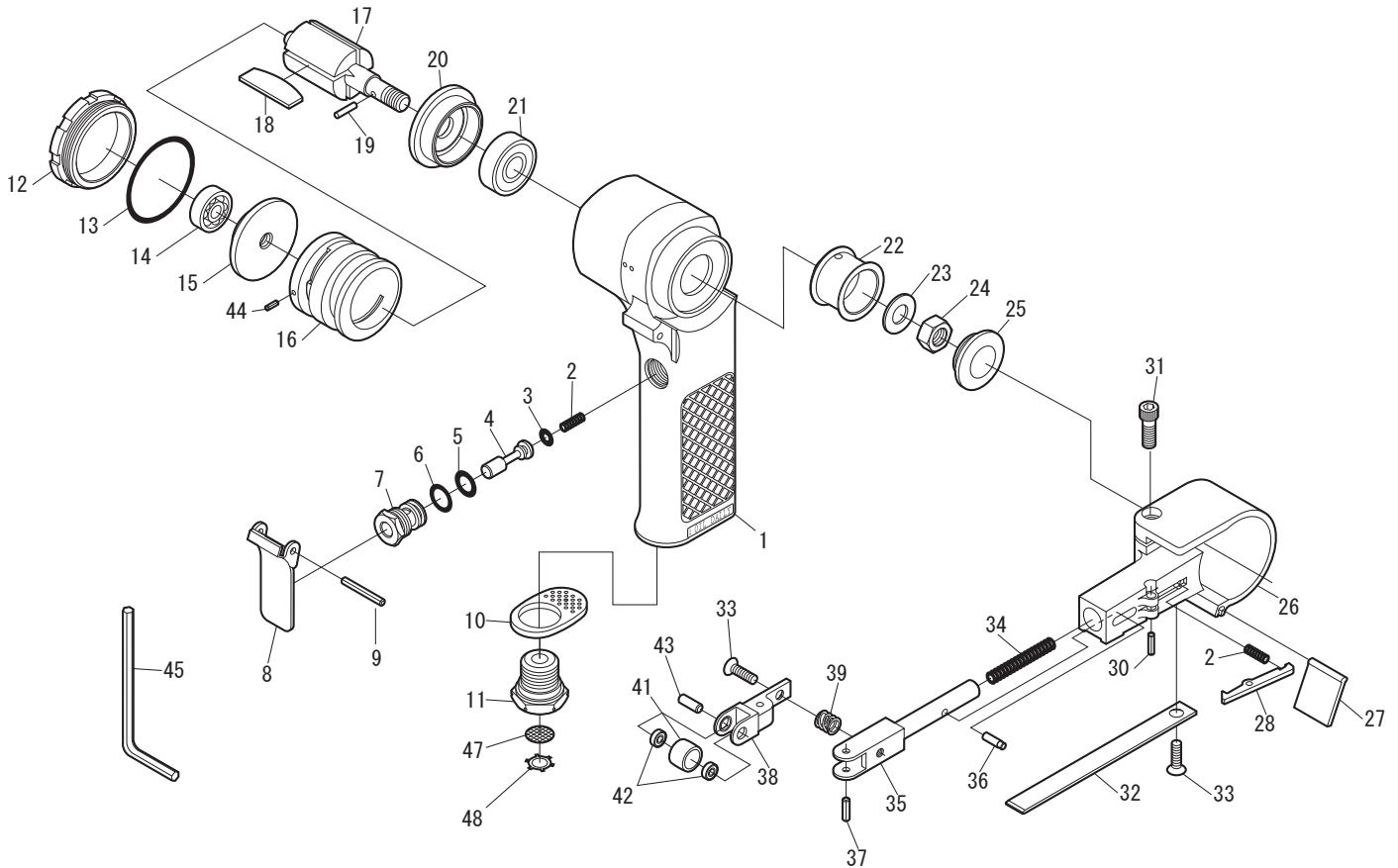
- * Aluminum Joinery
- * Timber Joinery
- * Composite product finishing
- * Boat Building

MODEL SI-2700 Specifications:

Free Speed	15 000 rpm
Belt Size	10x330mm
Output Power	317 watts
Tool Weight	0.82 kg
Overall Length	280 mm
Max operating Pressure	90psi / 6.2bar
Average Air Consumption	3.3 cfm at 90PSI
Air Inlet Size	1/4" BSPF
Recommended Hose Size (ID)	3/8"

SI-2700

Belt Sander



Ref. No.	Parts No.	Description	Q'ty	Ref. No.	Parts No.	Description	Q'ty
1	509-1	Motor Housing	1	24	N2-M80	Nut	1
2	482-46	Valve Spring	2	25	509-43	Pulley Cap	1
3	P-4	O-Ring	1	26	509-26	Wheel Cover incl. Insert Spacer(509-32)	1
4	485-1	Valve Stem	1	27	509-28	Apron	1
5	P-8	O-Ring	1	28	509-42	Stopper	1
6	S-10	O-Ring	1	30	25-10	Roll Pin (2.5ø-10mm)	1
7	485-5	Valve Body	1	31	Z-1024-150	Cap Screw	1
8	509-4	Throttle Lever	1	32	509-40	Shoe	1
9	30-24	Roll Pin(3ø-24mm)	1	33	E-M40-120	Screw	2
10	509-3	Deflector	1	34	509-31	Tension Spring	1
11	509-2	Inlet Bushing	1	35	509-29	Tension Arm	1
12	509-13	Motor Nut	1	36	509-30	Stopper Pin	1
13	450-35	O-Ring	1	37	30-11	Roll Pin (3ø-11mm)	1
14	626	Ball Bearing	1	38	509-35	Adjust Arm	1
15	509-11	Rear Plate	1	39	509-39	Adjust Spring	1
16	509-15	Cylinder	1	41	509-33A	Idle Pulley incl. Ball Bearing (L940ZZx2)	1
17	509-16	Rotor	1	42	L940ZZ	Ball Bearing	2
18	509-17	Rotor Blade	4	43	509-36	Pulley Pin	1
19	520-17	Pin	1	44	20-6	Roll Pin (2ø-6mm)	1
20	509-18	Front Plate	1	45	WRA-4	4mm Allen Wrench	1
21	6000ZZ	Ball Bearing	1	* 46	509-45Z/60	10mm Sanding Belt #60	6
22	509-22	Drive Pulley	1	47	680-28A	Screen	1
23	PW-80	Washer	1	48	CRTW-12	Retainer	1