

# Atlas Copco PRO S2443-P Shut Off Clutch Screwdriver

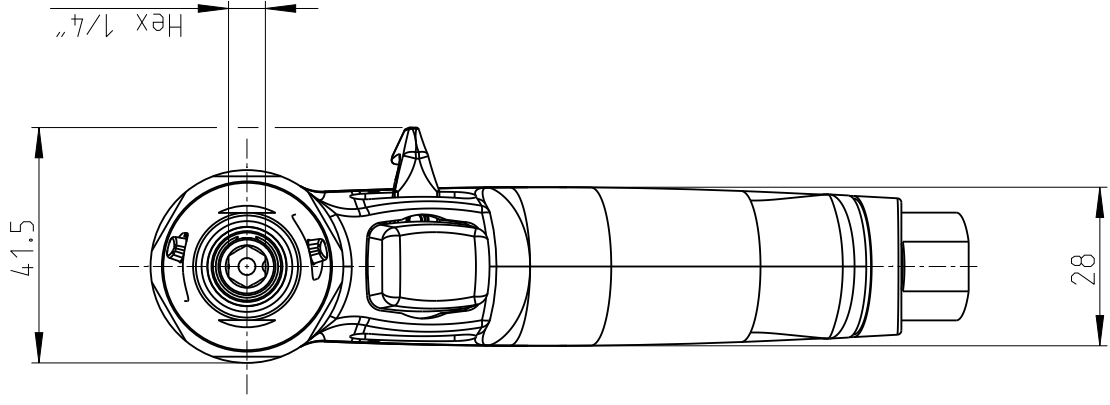
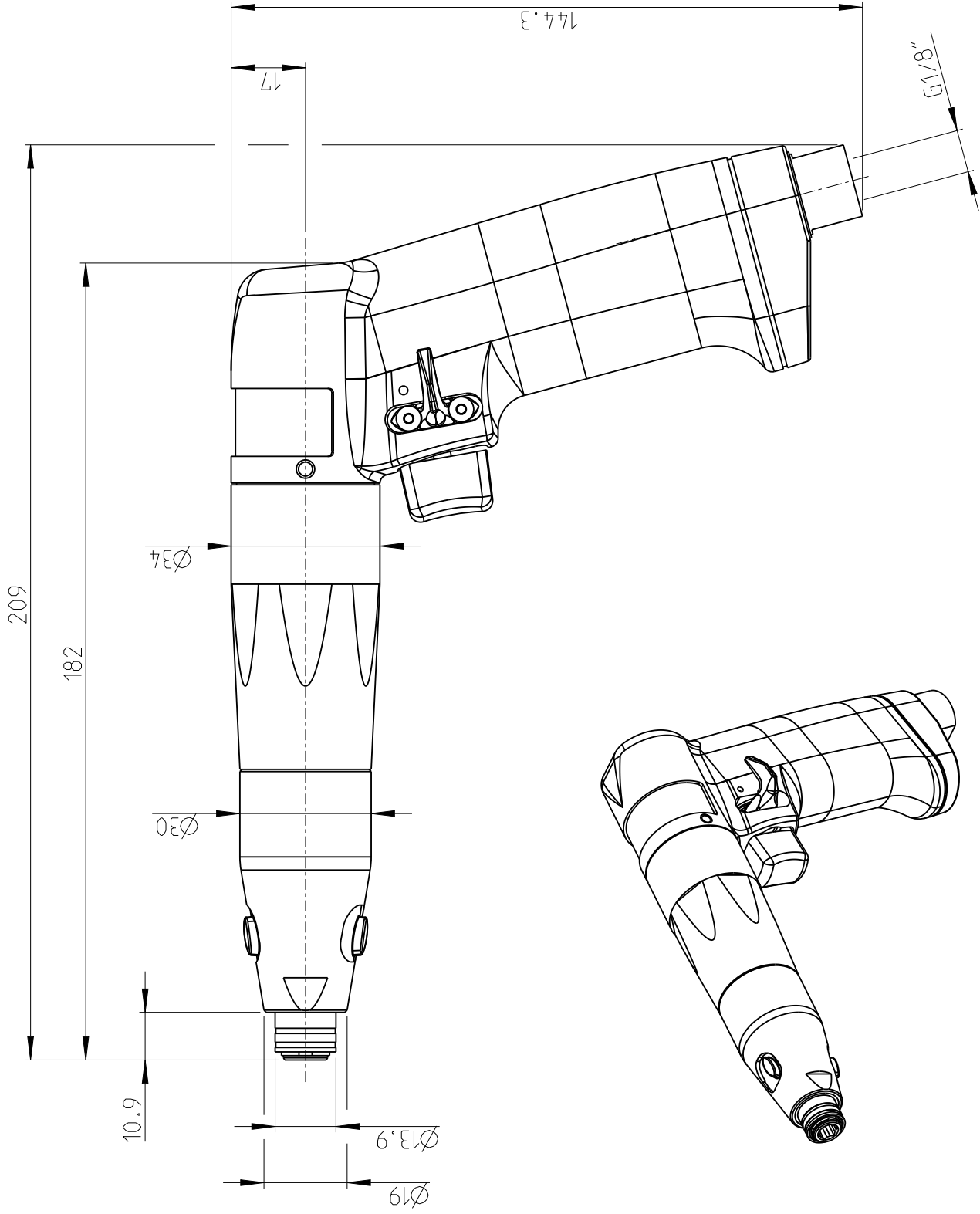


PRO screwdrivers are designed for precision fastening. These highly engineered fastening tools meet the demands for industrial performance, accuracy and durability. Well-balanced for good ergonomics, PRO screwdrivers take productivity to a whole new level.

## Features & benefits

- Shut-off clutch with fast, accurate shut-off for smooth performance and high quality tightening
- Well balanced, good ergonomics
- Soft-start trigger for smooth operation

Technical Specifications:	
Screw Capacity	M5
Torque Range Soft Joint	0.4 – 4.3Nm
Free Speed	1100 rpm
Weight	0.8 kg
Length	182 mm
Air consumption at free speed	6.5 l/s @ 6.3bar
Suitable air hose	10mm ID
Air inlet thread	1/8" BSPF
Sound Pressure level	76 dB(A)
Ordering No.	08-8431 0257 43



Atlas Copco

Date	Scale	Ordering No.	Model
2022-04-13	0.750	8431 0257 43	S2443-P